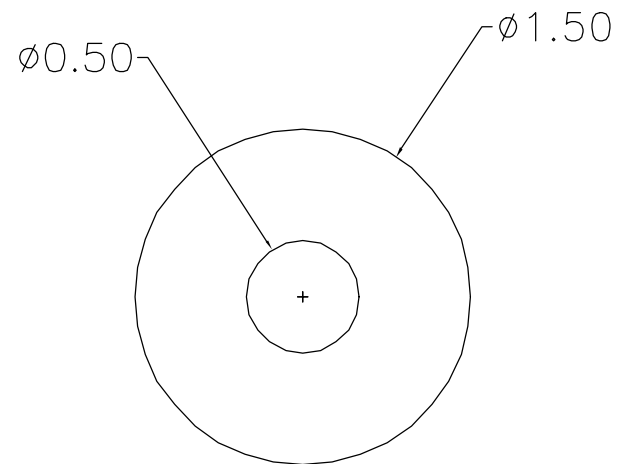


MATERIAL: EPDM RUBBER  
55-65 durometer



ARCH ENVIRONMENTAL EQUIP., INC.			
<b>SECOND SEAL WITH HOLLOW CENTER</b>			
DRAWN:	S. HOWARD	DATE	
CHECKED:	G. K. W.	DATE	
APPROVED:	N. F. A.	DATE	
SCALE	JOB No.	DRAWING NO.	10792B
		SHEET	OF
		REV	