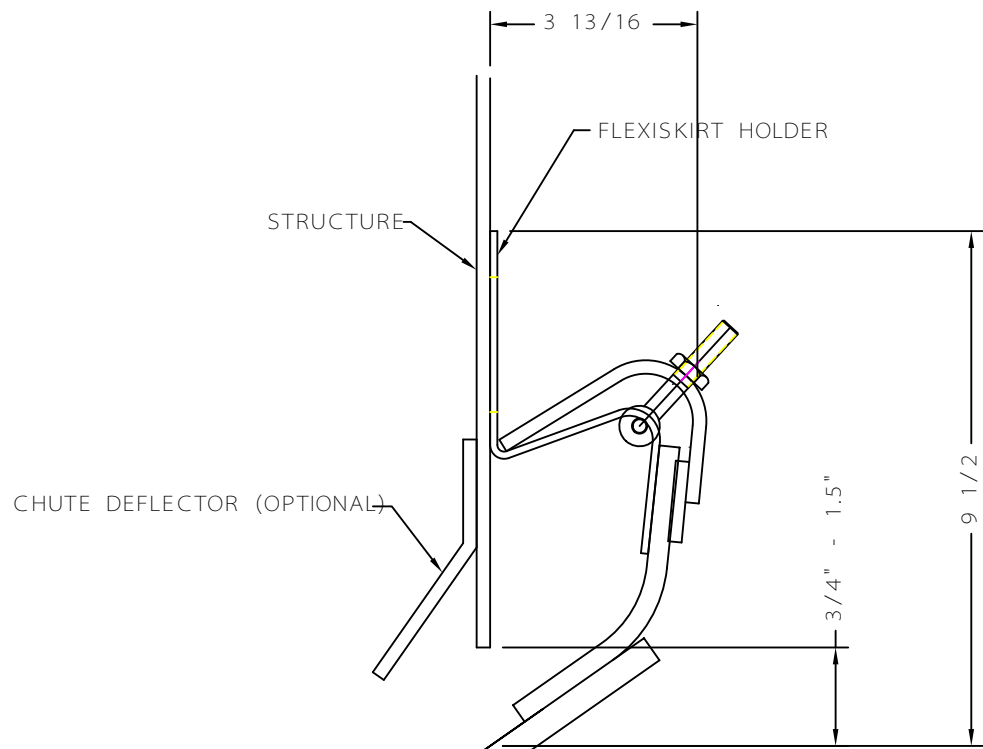
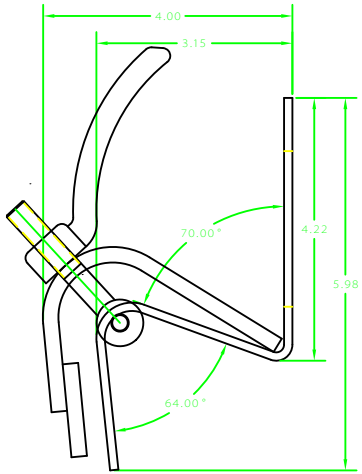


12/24/06 - RYD



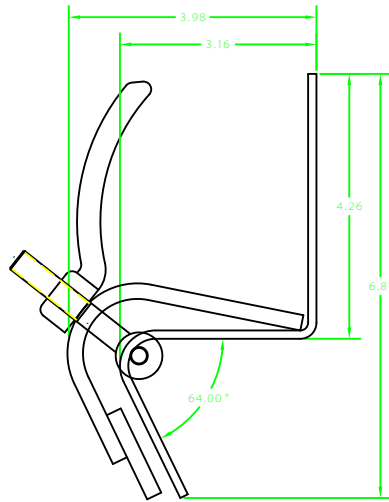
DIMENSIONS FOR 35° TROUGH

		P.O. BOX 2422 5929 BENTON RD. PADUCAH, KENTUCKY 42002-2422 PHN: 800-553-4587 FAX: 800-230-9462	
FLEXISKIRT SEAL SYSTEM		TOLERANCES	SCALE
DRAWN: S. HOWARD	DATE	DWG. NO.	DRAWING NO.
CHECKED: G. K. W.	DATE	SHEET	OF
APPROVED: N.F.A.	DATE	REV.	



2002

MATERIAL:
 HOLDER: 10GA HRS
 CLAMP BAR: 1/4" HRS
 I- BOLT: 304 SS



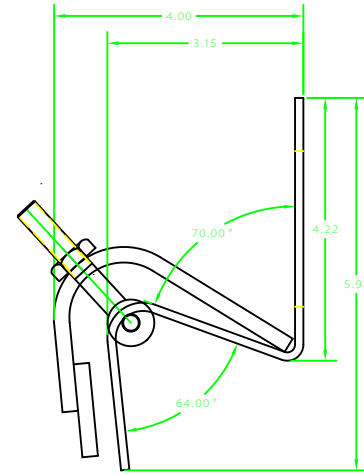
2001

REV	DATE	DESCRIPTION

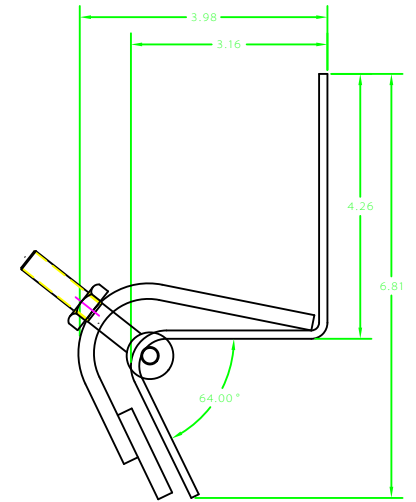

 2001 & 2002
 FLEXSIRT BRACKETS
 DIAGRAM

FILE NO.	200-250
DATE	08/20/08
PROJECT	ARCH-BRACKETS
SCALE	AS SHOWN
DRAWN BY	ARCH-DESIGN
CHECKED BY	ARCH-DESIGN
DATE	08/20/08

FILENAME = FLEXBK



MATERIAL:
 HOLDER: 10GA HRS
 CLAMP BAR: 1/4" HRS
 I- BOLT: 304 SS



REV	DATE	DESCRIPTION


 1001 & 1002
 FLEXSIRT BRACKETS
 DIAGRAM

FILE NO.	200-250
DATE	08/20/08
PROJECT	ARCH-BRACKETS
SCALE	AS SHOWN
DRAWN BY	ARCH-DESIGN
CHECKED BY	ARCH-DESIGN
DATE	08/20/08

FILENAME = FLEXBK