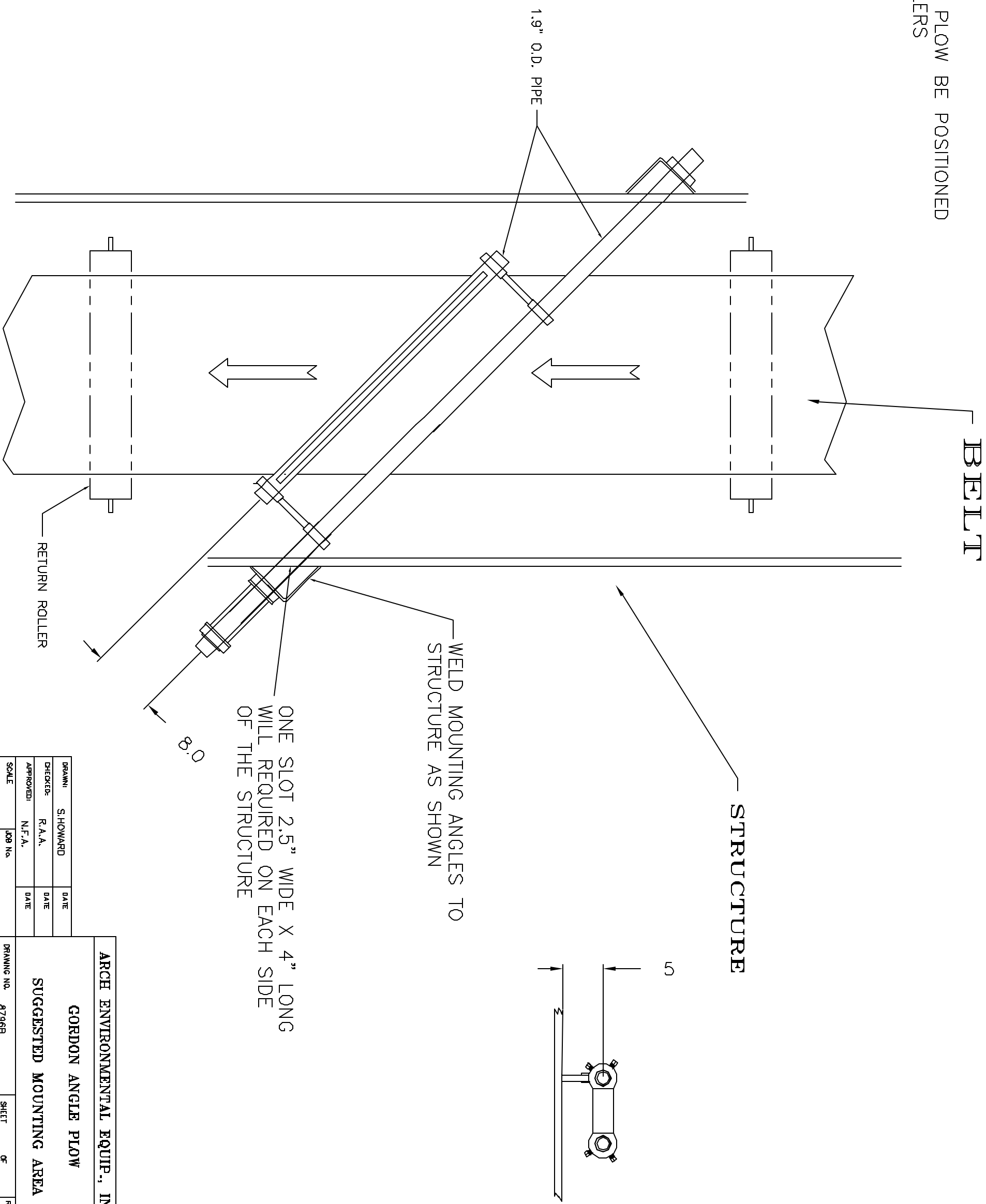


IT IS SUGGESTED THAT THE ANGLE PLOW BE POSITIONED AS SHOWN BETWEEN RETURN ROLLERS



FILENAME= APMMNT  
 PLOTSCALE= 1=8

DRAWN	S. HOWARD	DATE
CHECKED	R.A.A.	DATE
APPROVED	N.F.A.	DATE
SCALE	JOB No.	

ARCH ENVIRONMENTAL EQUIP., INC.	
GORDON ANGLE PLOW	
SUGGESTED MOUNTING AREA	
DRAWING NO.	8796B
SHEET	OF
REV.	